

A large-scale construction site featuring several tall cranes and a building under construction. The scene is set against a blue sky with scattered clouds. In the foreground, a large, metallic drive chain link is prominently displayed, partially obscuring the view of the construction site. The link is made of heavy-duty metal and has a complex, multi-ported design.

**RENOLD  
JEFFREY**

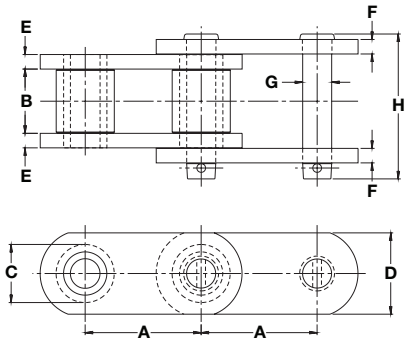
**Engineering Drive Chain**  
Built with pride in the U.S.A.

# Engineering Class Drive Chain

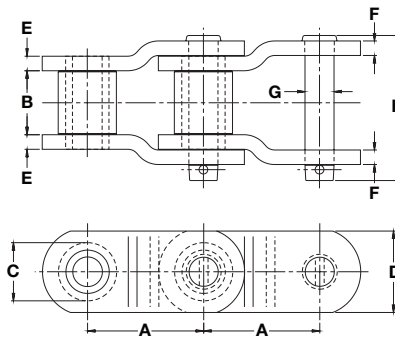
Renold Jeffrey Engineering Class Drive Chains run some of the most demanding applications in the world. These hard-working chains are found in construction, mining, and power transmission equipment.

You'll find our drive chains on power shovels, cranes, elevators, debarking/mixing drums, machine tools, and many other applications. The reason is simple. These chains are built to perform. Drive chain components are proportioned to provide a well-balanced design, ensuring maximum strength and minimum weight.

Count on Renold Jeffrey to deliver plenty of reserve strength to handle day-to-day operations as well as to stand up to high shock loads.



Style S (Straight Sidebar)



Style O (Offset Sidebar)

## Engineering Class Drive Chain — 1.654 to 3.500 Pitch

Dimensions are in inches unless otherwise indicated.

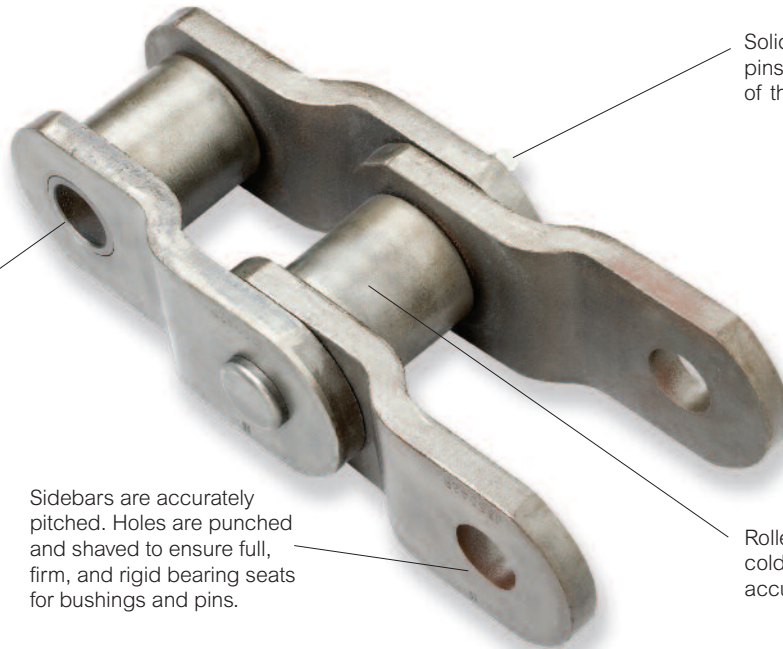
Chain No.	Sidebar Style	Pitch	Inner Width Max	Roller/Bushing Diam Max	Plate Height Max	Inner Plate Thick Max	Outer Plate Thick Max	Pin Diam Max	Pin Length Max	Average Ultimate Strength	Rated Working Load	Weight
		A	B	C	D	E	F	G	H	Lbs	Lbs	Lbs/Ft
362R	O	1.654	1.000	0.813	1.125	0.125	0.125	0.375	1.910	7,000	1,640	2.80
IS622	O	1.654	1.000	0.875	1.125	0.188	0.188	0.438	2.219	20,000	2,110	3.50
IS2059	O	2.000	1.250	1.125	1.625	0.250	0.250	0.563	2.813	59,000	3,400	7.00
IS2065R	O	2.000	1.250	1.125	1.625	0.313	0.313	0.593	3.188	68,000	3,900	7.60
1094C	O	2.300	0.781	0.750	1.125	0.188	0.188	0.375	1.910	16,500	1,500	2.71
IS2570A	O	2.500	1.500	1.250	1.750	0.310	0.310	0.625	3.360	71,000	4,650	8.70
1625A	O	2.500	1.500	1.563	2.313	0.310	0.310	0.781	3.438	95,000	5,800	6.90
JS882	O	2.609	1.125	0.875	1.125	0.250	0.250	0.438	2.560	26,000	2,500	3.60
JS3011	O	3.067	1.563	1.625	2.250	0.375	0.375	0.750	3.750	113,000	6,100	13.10
JS1031	O	3.075	1.500	1.250	1.625	0.313	0.313	0.625	3.360	48,000	4,650	7.00
3706 <sup>§</sup>	O	3.075	2.190	1.750	2.000	0.375	0.375	0.875	4.520	70,000	9,000	14.10
JS3075	O	3.075	1.500	1.250	1.750	0.375	0.375	0.650	3.660	73,000	5,100	9.00
3125	O	3.125	1.625	1.625	2.250	0.375	0.375	0.800	3.860	115,000	6,800	12.70
IS3514J	O	3.500	1.500	1.750	2.250	0.500	0.500	0.875	4.325	140,000	7,700	17.30

<sup>^</sup> Asphalt Drum Drive

<sup>□</sup> Debarking Drum Drive

<sup>§</sup> Steel Bushed/Knuckle Chain

Bushings are machined from solid steel or formed from cold drawn steel and then securely locked by press fits. This ensures that wear is limited to the hard surfaces, extending the life of the chain.



Solid-steel, heat-treated pins increase the wear life of the chain.

Sidebars are accurately pitched. Holes are punched and shaved to ensure full, firm, and rigid bearing seats for bushings and pins.

Rollers are made from solid cold-rolled steel and have accurately machined bores.

## Engineering Class Drive Chain — 4.000 to 7.000 Pitch

Dimensions are in inches unless otherwise indicated.

Chain No.	Sidebar Style	Pitch	Inner Width Max	Roller/Bushing Diam Max	Plate Height Max	Inner Plate Thick Max	Outer Plate Thick Max	Pin Diam Max	Pin Length Max	Average Ultimate Strength	Rated Working Load	Weight
		A	B	C	D	E	F	G	H	Lbs	Lbs	Lbs/Ft
4414PB <sup>A</sup>	O	4.000	2.750	2.250	2.750	0.500	0.500	1.250	5.891	116,000	16,000	25.00
JS4106	O	4.063	1.940	1.750	2.250	0.500	0.500	0.875	4.719	70,000	9,000	15.80
JS4110	O	4.063	1.940	1.750	2.250	0.500	0.500	0.875	4.703	120,000	9,000	15.80
JS4014	O	4.063	1.938	1.750	2.250	0.500	0.500	0.875	4.703	140,000	9,000	15.40
JS1245A	O	4.073	1.940	1.781	2.375	0.563	0.563	0.940	5.060	170,000	10,000	18.70
IS4121	O	4.090	1.940	1.875	2.750	0.560	0.560	1.000	5.078	217,000	12,100	24.00
3353A <sup>A</sup>	S	4.090	2.250	2.625	3.500	0.625	0.625	1.313	5.719	230,000	16,000	35.10
IS4522	O	4.500	2.063	2.250	3.000	0.560	0.560	1.100	5.310	220,000	12,300	25.00
JS5031	O	5.000	2.750	2.500	3.500	0.625	0.625	1.250	6.234	280,000	17,500	33.72
1605AAA	O	5.000	2.563	2.500	3.500	0.750	0.750	1.375	6.500	350,000	19,600	43.50
JS5542R	O	5.500	3.000	3.000	4.000	0.750	0.750	1.500	7.190	420,000	23,700	48.30
6877RS <sup>S</sup>	O	6.000	2.250	2.000	3.250	0.620	0.620	1.320	5.940	180,000	18,400	27.30
JS6042R	O	6.000	3.000	3.000	4.000	0.750	0.750	1.500	7.190	420,000	23,700	46.80
6056 <sup>D</sup>	S	6.000	3.250	3.500	5.000	0.875	0.875	1.750	7.940	550,000	30,000	72.00
6755A <sup>S</sup>	S	6.000	3.250	2.940	4.500	0.875	0.875	1.750	7.940	550,000	35,000	56.40
6065A <sup>S</sup>	O	6.000	3.000	3.000	4.750	0.750	0.750	1.748	7.172	600,000	27,600	54.80
JS6555	O	6.500	3.250	3.500	5.000	0.875	0.875	1.748	7.938	600,000	30,500	66.00
6735RR <sup>S</sup>	O	7.000	2.750	2.620	4.000	0.750	0.750	1.620	7.030	350,000	28,000	38.00
6772A <sup>S</sup>	O	7.000	4.000	3.250	5.000	0.875	0.875	2.000	8.781	490,000	46,000	65.10
JS7055	O	7.000	3.250	3.500	5.000	0.875	0.875	1.750	8.000	600,000	30,500	65.00
7080FR <sup>D</sup>	S	7.000	3.250	4.500	6.000	0.875	0.875	2.120	8.060	800,000	48,000	66.00

<sup>A</sup> Asphalt Drum Drive

<sup>D</sup> Debarking Drum Drive

<sup>S</sup> Steel Bushed/Knuckle Chain

# Engineering Class Drive Chain



Joseph Jeffrey invented the drive chain over 125 years ago for machinery such as crawler drives for cranes, road pavers, conveyors, elevators, drum drive, and many other heavy duty types of equipment.

Your local Renold Jeffrey representative can assist you in identifying the right chain for your application. Renold Jeffrey is committed to meeting the challenge for all your engineering chain needs.

## Interchange Data

Renold Jeffrey Chain #	Pitch	UST	Rexnord	Link Belt	Allied Locke
IS2065R	2.000	US2065	B3113	RO3160S	MXS2065
JS882	2.609	US882	R588	LSX882	MSX882
JS1031	3.075	US1031	R1033	RO1031	MSX1031
JS3011	3.067	US3011	AX1568	RO2512	MSX3011
JS3075	3.075	US3075	R1037	RO40HYPER	MSX3075
IS3514J	3.500	US3514	RX238	RO2814	MXS3514
JS4014	4.063	US1242	R1248	LSX1242M	MSX1242
JS1245A	4.073	US1245	RX1245	RO3315	MSX1245
IS4522	4.500	US4522	RO635	RO3618	MSX4522
JS5031	5.000	US5031	RO1207	RO4020	MXS5031
16505AAA	5.000	US5035	RO1315	—	MXS5035
JS5042	5.000	US5042	—	—	—
JS5542	5.500	US5542	RO1356	—	MXS5542
JS6042R	6.000	US6042	RX1306	RO4824	MXS6042
6065A	6.000	US6066	—	—	MXS6066
JS6555	6.500	—	—	—	—
JS7055	7.000	US7055	—	—	—
7080FR	7.000	US7080	—	—	—

### Corporate Headquarters

2307 Maden Drive  
Morristown, TN 37813

Tel: (423) 586-1951  
Tel: (800) 251-9012  
Fax: (423) 581-2399

### Renold Canada Ltd.

622 rue de Hull  
Ville LaSalle, Quebec H8R 1V9

Tel: (800) 265-9970  
Fax: (800) 661-6118

**RENOLD  
JEFFREY**

Advancing Chain Technology™  
www.renoldjeffrey.com

**RENOLD**  
Canada



In accordance with the policy of Renold to continually improve its products, the specifications in this publication are subject to change without notice. For terms and conditions of sale, contact Renold.