

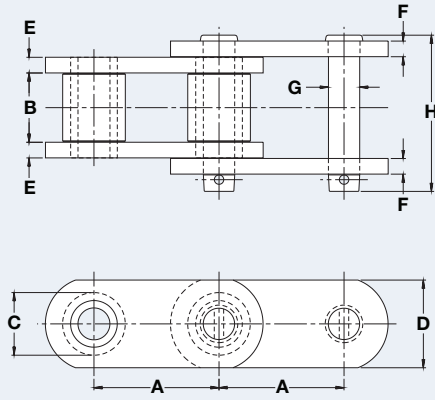
Engineering Class Asphalt Plain Chain

Dimensions are in inches unless otherwise indicated.

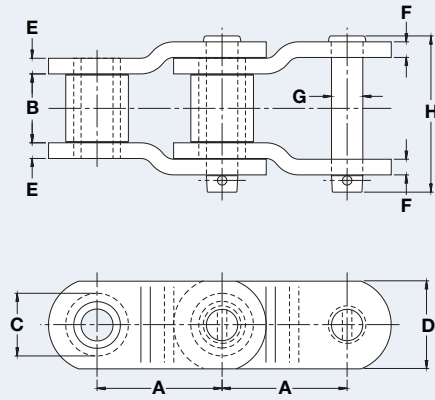
Chain No.	Pitch	Inner Width Max	Roller Diam Max	Plate Height Max	Plate Thick Max	Pin Diam Max	Pin Length Max	Average Ultimate Strength	Rated Working Load
	A	B	C	D	E/F	G	H	Lbs	Lbs
3945PB	4.000	2.000	1.250	1.500	0.313	0.625	3.859	45,000	5,700
3957PB	4.000	1.500	1.375	1.625	0.313	0.625	3.328	45,000	4,600
2102R	4.000	2.219	1.500	1.500	0.375	0.625	4.325	56,500	6,500
3952PB	4.000	2.000	1.438	1.750	0.375	0.750	4.125	62,000	8,200
3953PB	4.000	2.000	1.625	1.750	0.375	0.750	4.125	62,000	8,200
3950PB	4.038	2.000	1.375	1.500	0.313	0.625	3.859	45,000	5,700
2268PB	4.083	2.000	1.625	2.250	0.375	0.750	4.125	100,000	7,200
4604PB	4.604	2.000	1.375	1.500	0.313	0.625	3.859	45,000	5,700
3935PB	5.187	2.281	2.000	2.500	0.375	0.875	4.647	102,000	9,300
3940PB	6.000	2.000	1.625	2.250	0.375	0.750	4.219	90,000	7,200
2856	6.000	3.000	2.750	2.500	0.500	1.000	5.890	143,000	14,000
2860	6.000	3.000	2.750	2.500	0.500	1.000	5.890	143,000	14,000
2866R	6.000	3.000	2.750	2.750	0.500	1.000	5.922	149,000	14,000

Contact Renold Jeffrey for weight specifications and for verification as dimensions are subject to change.

Asphalt Chain



Style S (Straight Sidebar)

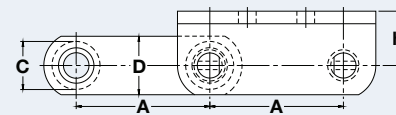
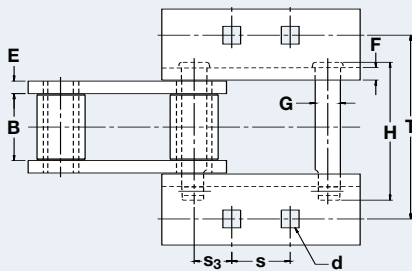


Style O (Offset Sidebar)

Engineering Class Asphalt Drum Drive Chain

Dimensions are in inches unless otherwise indicated.

Chain No.	Sidebar Style	Pitch	Inner Width Max	Roller Diam Max	Plate Height Max	Plate Thick Max	Pin Diam Max	Pin Length Max	Average Ultimate Strength	Rated Working Load
		A	B	C	D	E/F	G	H	Lbs	Lbs
3706	O	3.075	2.190	1.750	2.000	0.375	0.875	4.520	70,000	9,000
4414PB	O	4.000	2.750	2.250	2.750	0.500	1.250	5.890	116,000	16,000
3353A	S	4.090	2.250	2.625	3.500	0.625	1.310	5.720	230,000	16,000

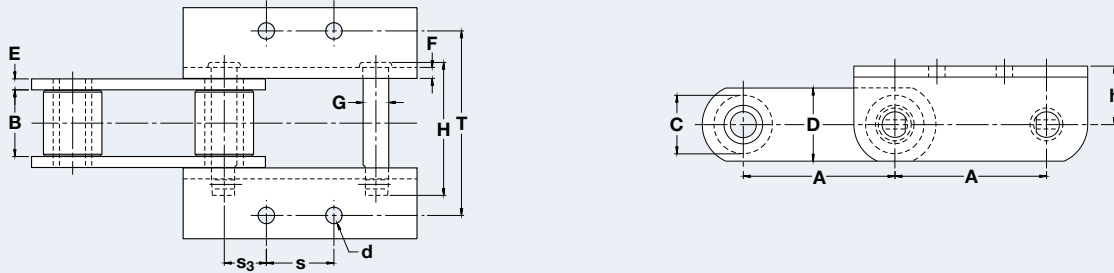


K-2 Square Hole Asphalt Chain Attachments

Dimensions are in inches unless otherwise indicated.

Chain No.	Pitch	Inner Width Max	Roller Diam Max	Plate Height Max	Plate Thick Max	Pin Diam Max	Pin Length Max	T	d	h	s	s ₃	Average Ultimate Strength	Rated Working Load
	A	B	C	D	E/F	G	H	T	d	h	s	s ₃	Lbs	Lbs
3952PB	4.000	2.000	1.438	1.750	0.375	0.750	4.125	5.313	0.375	1.625	1.750	1.125	62,000	8,200

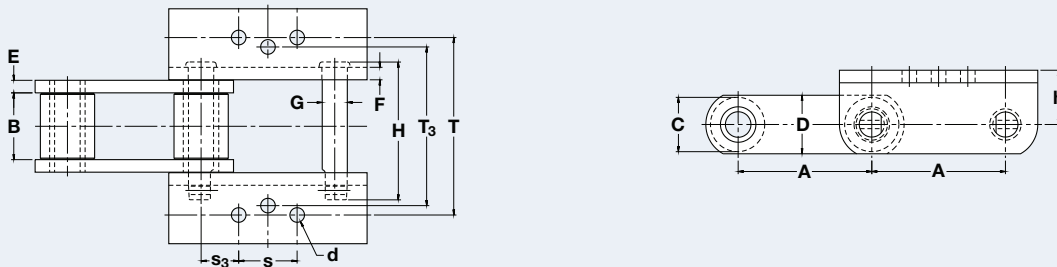
Contact Renold Jeffrey for weight specifications and for verification as dimensions are subject to change.



K-2 Round Hole Asphalt Chain Attachments

Dimensions are in inches unless otherwise indicated.

Chain No.	Pitch	Inner Width Max	Roller Diam Max	Plate Height Max	Plate Thick Max	Pin Diam Max	Pin Length Max						Average Ultimate Strength	Rated Working Load
	A	B	C	D	E/F	G	H	T	d	h	s	s ₃	Lbs	Lbs
3957PB	4.000	1.500	1.375	1.625	0.313	0.625	3.328	5.313	0.500	1.375	2.500	0.750	45,000	4,600
2268PB	4.083	2.000	1.625	2.250	0.375	0.750	4.125	5.250	0.500	2.000	1.750	1.160	100,000	7,200
3935PB	5.187	2.281	2.000	2.500	0.375	0.875	4.647	6.313	0.500	2.000	2.313	1.438	102,000	9,300
3940PB	6.000	2.000	1.625	2.250	0.375	0.750	4.219	6.250	0.500	2.000	2.313	1.844	90,000	7,200
2856	6.000	3.000	2.750	2.500	0.500	1.000	5.890	7.250	0.625	1.875	2.500	1.750	143,000	14,000



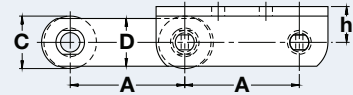
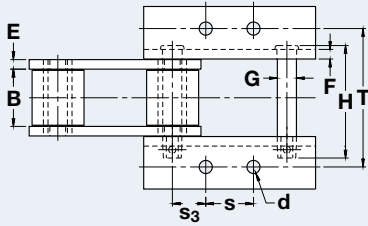
K-3 Asphalt Chain Attachments

Dimensions are in inches unless otherwise indicated.

Chain No.	Pitch	Inner Width Max	Roller Diam Max	Plate Height Max	Plate Thick Max	Pin Diam Max	Pin Length Max						Average Ultimate Strength	Rated Working Load	
	A	B	C	D	E/F	G	H	T	T ₃	d	h	s	s ₃	Lbs	Lbs
3945PB	4.000	2.000	1.250	1.500	0.313	0.625	3.859	5.313	—	0.500	1.375	1.750	1.125	45,000	5,700
2102R	4.000	2.219	1.500	1.500	0.375	0.625	4.325	5.313	—	0.500	1.125	1.750	1.125	56,500	6,500
3953PB	4.000	2.000	1.625	1.750	0.375	0.750	4.125	5.313	4.750	0.375	1.625	1.750	1.125	62,000	8,200
3950PB	4.038	2.000	1.375	1.500	0.313	0.625	3.859	5.313	4.750	0.375	1.375	1.750	1.141	45,000	5,700
4604PB	4.604	2.000	1.375	1.500	0.313	0.625	3.859	5.313	4.750	0.375	1.375	1.750	1.430	45,000	5,700

Contact Renold Jeffrey for weight specifications and for verification as dimensions are subject to change.

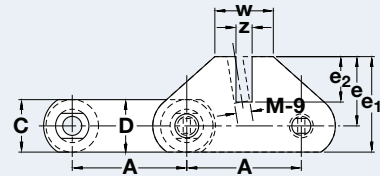
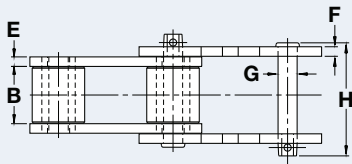
18 Asphalt Chain



K-24 Asphalt Chain Attachments

Dimensions are in inches unless otherwise indicated.

Chain No.	Pitch	Inner Width Max	Roller Diam Max	Plate Height Max	Plate Thick Max	Pin Diam Max	Pin Length Max						Average Ultimate Strength	Rated Working Load
	A	B	C	D	E/F	G	H	T	d	h	s	s ₃	Lbs	Lbs
2860	6.000	3.000	2.750	2.500	0.500	1.000	5.890	7.250	0.625	1.875	2.500	1.750	143,000	14,000



M-1/M-9 Asphalt Chain Attachments

Dimensions are in inches unless otherwise indicated.

Chain No.	Att. Type	Pitch	Inner Width Max	Roller Diam Max	Plate Height Max	Plate Thick Max	Pin Diam Max	Pin Length Max					Average Ultimate Strength	Rated Working Load	
		A	B	C	D	E/F	G	H	e	e ₁	e ₂	w	z	Lbs	Lbs
2866R	M1	6.000	3.000	2.750	2.750	0.500	1.000	5.922	3.625	5.000	2.375	3.063	0.813	149,000	14,000
2866R	M9	6.000	3.000	2.750	2.750	0.500	1.000	5.922	3.625	5.000	2.375	3.063	0.813	149,000	14,000

Contact Renold Jeffrey for weight specifications and for verification as dimensions are subject to change.